



Rajshri

**uPVC Profiles for
Windows & Doors**

About Us

"Rajshri" is into manufacturing business for more than three decades, indicating a wealth of experience in the industry. The company specializes in a variety of products, including PVC doors, frames, wall panelling, false ceilings, WPC shutters, WPC frames, Jali (perforated decorative screens), and acoustic panels. The company operates from a significant manufacturing facility located in the Pithampur Industrial Area, covering an expansive area.

"Rajshri" boasts extrusion sheet, door frame profile, and UPVC profile production lines, demonstrating its commitment to using the latest technology in the manufacturing process. The company emphasizes the use of the latest technology in its manufacturing processes, ensuring that its products meet modern quality and performance standards.

"Rajshri" serves a wide array of government offices and organizations. This demonstrates the company's ability to meet the rigorous standards and requirements of government entities and showcases their prominence and reliability in the industry. The list of clients includes CPWD, MES, Indian Railways, BARC, ONGC, Central Government owned bodies, PSU's, State PWD and State Housing Corporation and Police Housing etc.

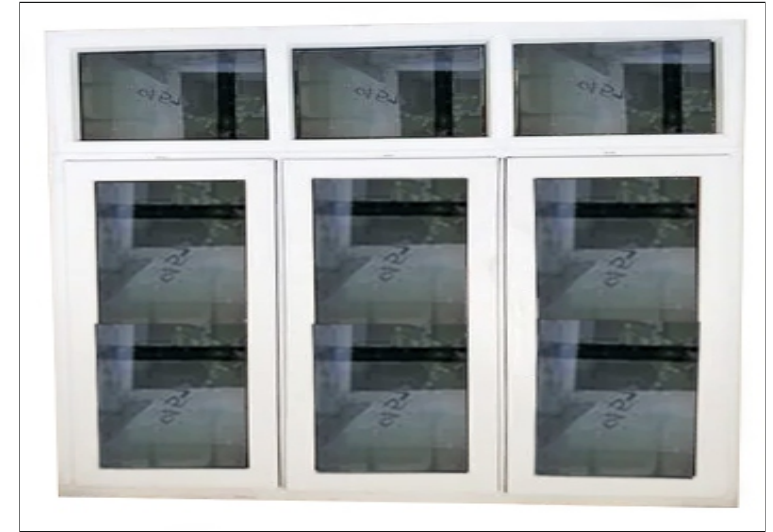
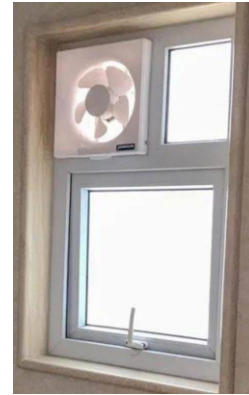
"By catering to the demands of these government and public sector entities, "Rajshri" underscores its commitment to quality, reliability, and compliance with stringent standards. This extensive client list reflects their strong market presence and ability to supply products for critical infrastructure projects.

The emphasis on using the latest technology in the manufacturing processes by "Rajshri" is a key indicator of their commitment to delivering high-quality and high-performance products. Here are some of the benefits and implications of this commitment:



CASEMENT WINDOWS

The classic design in fenestration are the casement windows. These windows offer better sound reduction than any of the windows. Top Hung windows used in toilet and service areas, French windows for unobstructed opening and fixed windows to allow maximum light to pass through are a few types of the Casement Series of Windows.



CASEMENT WINDOWS

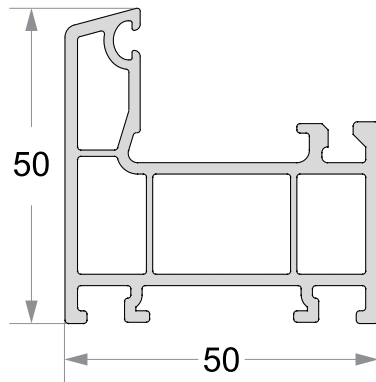
CASEMENT DOORS

The perfect way to add charm to your house is with the casement doors. With high security features such as multi point locking system and strong hinges, these doors are 100% safe.

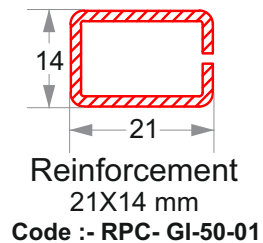


CASEMENT DOOR

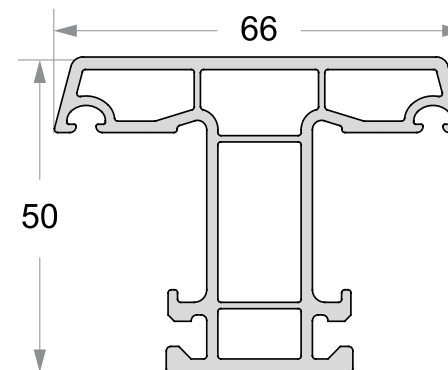
CASEMENT WINDOWS & DOORS PROFILES Thickness 1.9±0.2mm (50 Series)



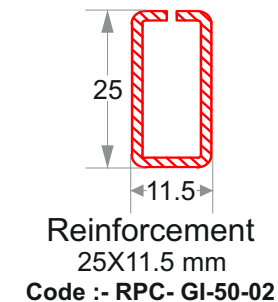
Casement Frame
50X50 mm
Code :- RPC- 50-01



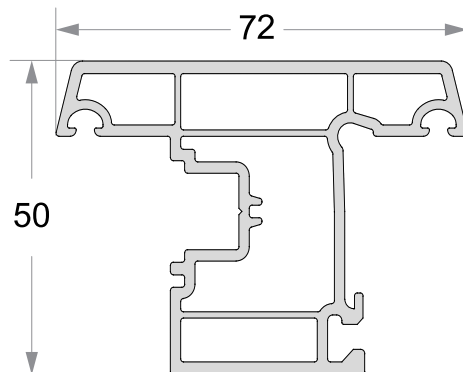
Reinforcement
21X14 mm
Code :- RPC- GI-50-01



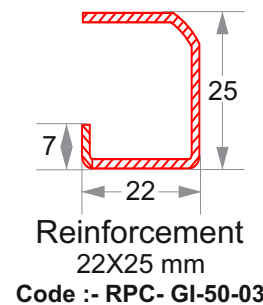
Sash / Mullion
66X50 mm
Code :- RPC- 50-02



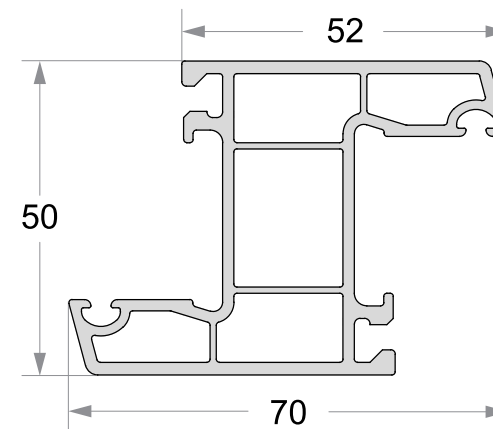
Reinforcement
25X11.5 mm
Code :- RPC- GI-50-02



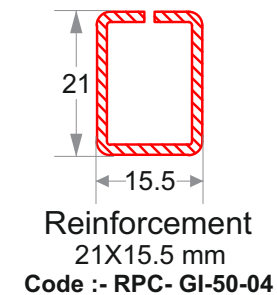
Casement Window Sash
72X50 mm
Code :- RPC- 50-03



Reinforcement
22X25 mm
Code :- RPC- GI-50-03

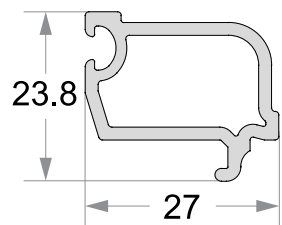


'Z' - Mullion
70X50 mm
Code :- RPC- 50-04

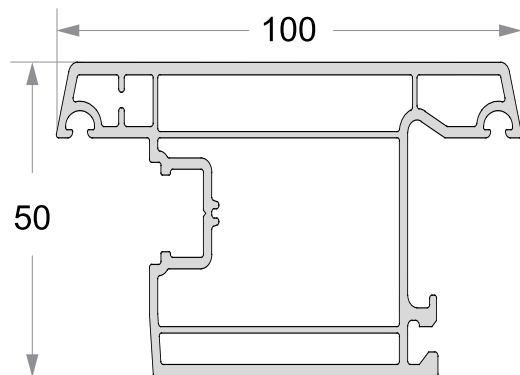


Reinforcement
21X15.5 mm
Code :- RPC- GI-50-04

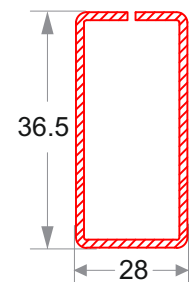
CASEMENT WINDOWS & DOORS PROFILES Thickness 1.9±0.2mm (50 Series)



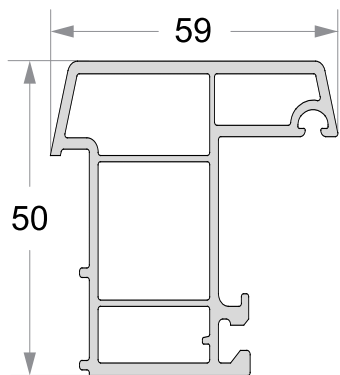
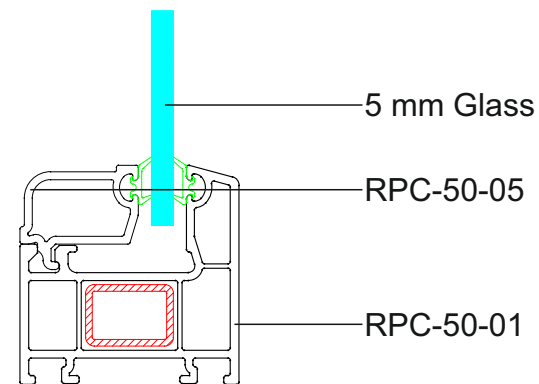
Single Glazing Bead
27X23.8 mm
Code :- RPC- 50-05



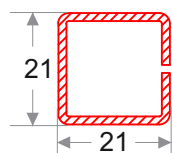
Door Sash
100X50 mm
Code :- RPC- 50-06



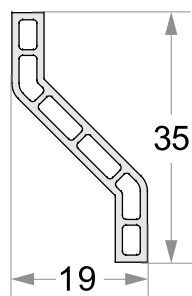
Reinforcement
36.5X28 mm
Code :- RPC- GI-50-06



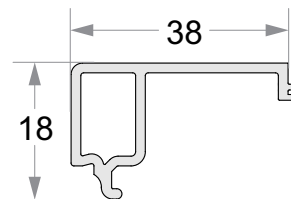
False Mullion
59X50 mm
Code :- RPC- 50-07



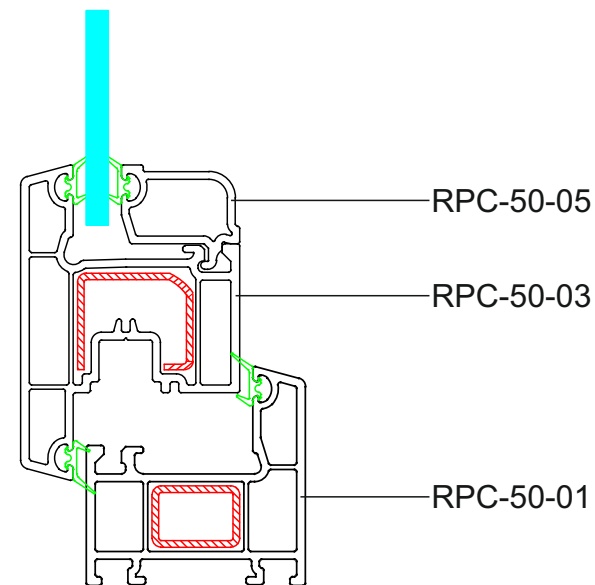
Reinforcement
21X21 mm
Code :- RPC- GI-50-07



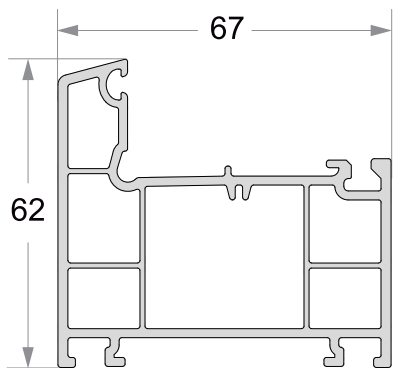
Louver Panel
19X35 mm
Code :- RPC- 50-08



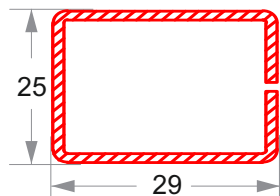
Louver Bead
38X18 mm
Code :- RPC- 50-09



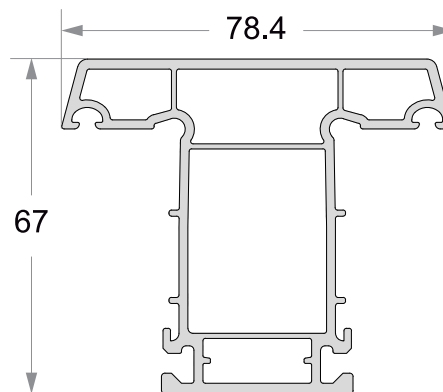
CASEMENT WINDOWS & DOORS PROFILES Thickness 2.3±0.2mm (67 Series)



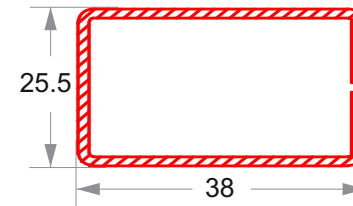
Casement Frame
67X62 mm
Code :- RPC- 67-01



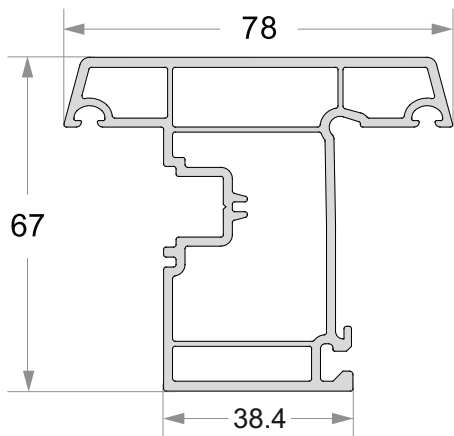
Reinforcement
29X25 mm
Code :- RPC- GI-67-01



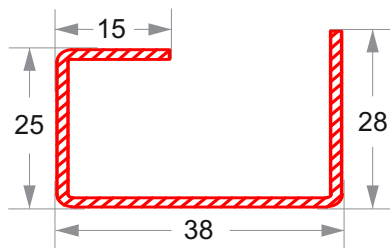
Sash / Mullion
78.4X67 mm
Code :- RPC- 67-02



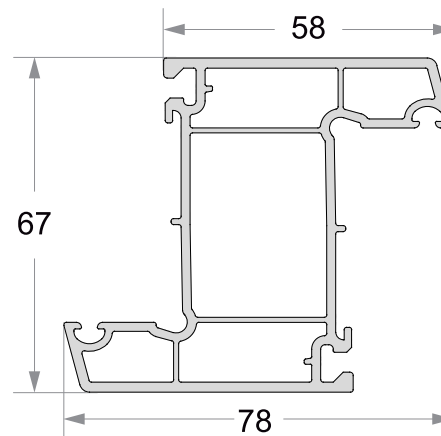
Reinforcement
38X25.5 mm
Code :- RPC- GI-67-02



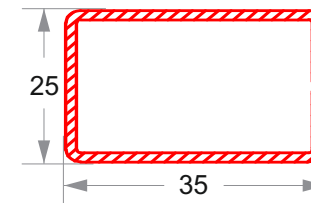
Casement Window Sash
78X67 mm
Code :- RPC- 67-03



Reinforcement
38X28 mm
Code :- RPC- GI-67-03

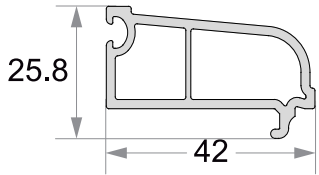


'Z' - Mullion
78X67 mm
Code :- RPC- 67-04

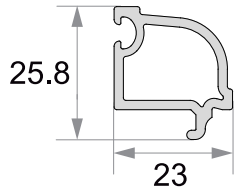


Reinforcement
35X25 mm
Code :- RPC- GI-67-04

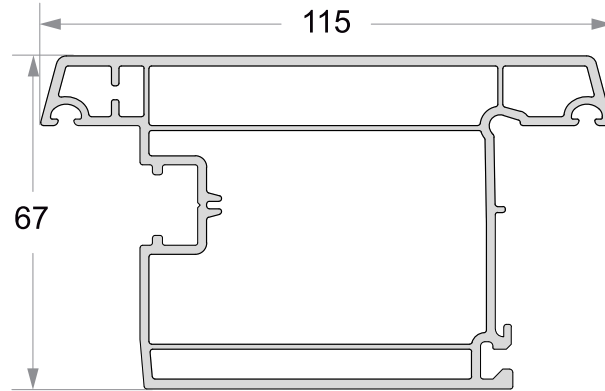
CASEMENT WINDOWS & DOORS PROFILES Thickness 2.3±0.2mm (67 Series)



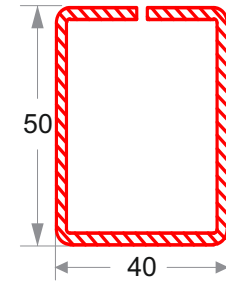
Single Glazing Bead
42X25.8 mm
Code :- RPC- 67-05



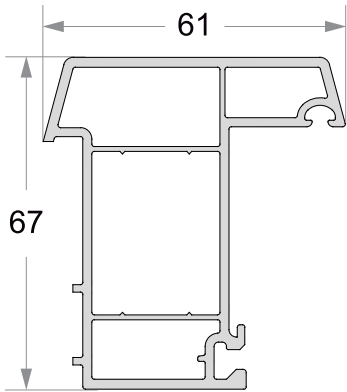
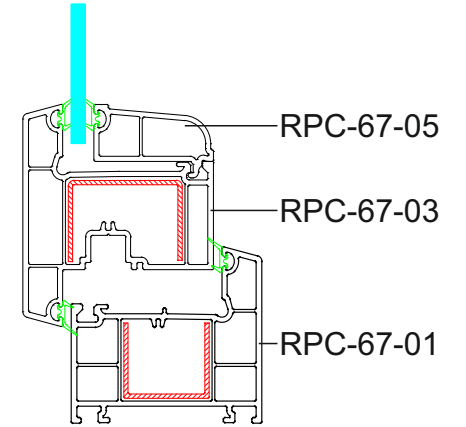
Double Glazing Bead
23X25.8 mm
Code :- RPC- 67-06



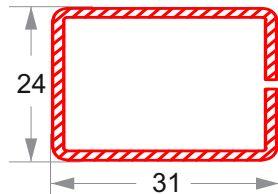
Door Sash
115X67 mm
Code :- RPC- 67-07



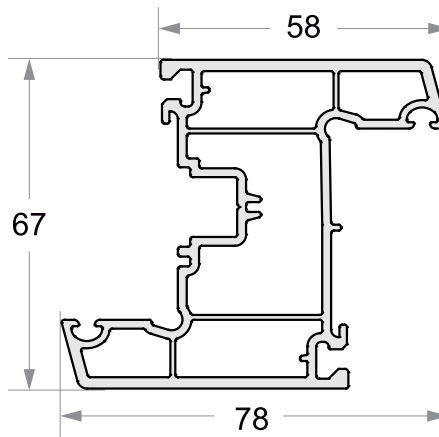
Reinforcement
50X40 mm
Code :- RPC- GI-67-07



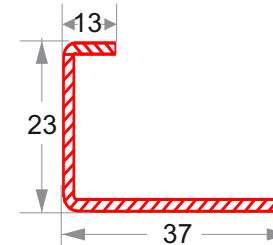
False Mullion
61X67 mm
Code :- RPC- 67-08



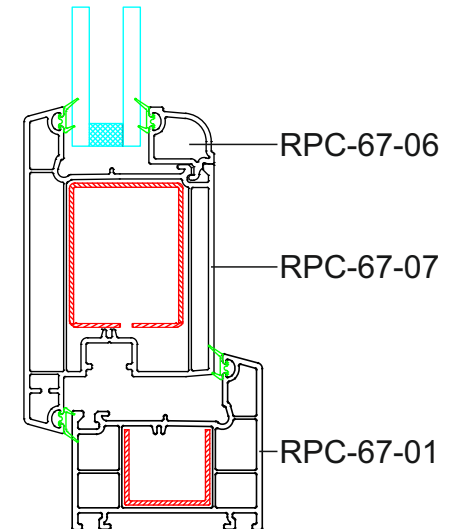
Reinforcement
31X24 mm
Code :- RPC- GI-67-08



"Z" - Sash
78X67 mm
Code :- RPC- 67-09

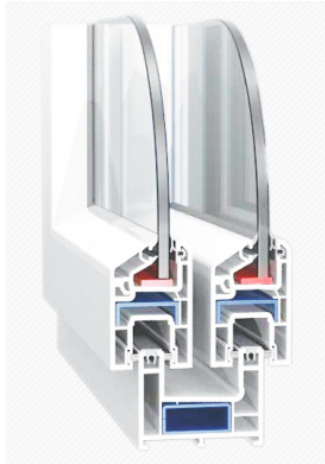


Reinforcement
37X26 mm
Code :- RPC- GI-67-09



SLIDING WINDOWS

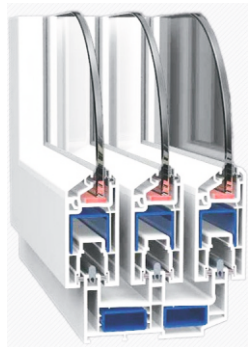
These windows are perfect for places with limited opening space. The sliding windows are smooth to roll and easy to maintain even after being the most cost effective solution for any home. Commonly used, sliding windows are two Track Two Panel Windows and Three Track Three Panel Windows.



SLIDING WINDOWS

SLIDING DOORS

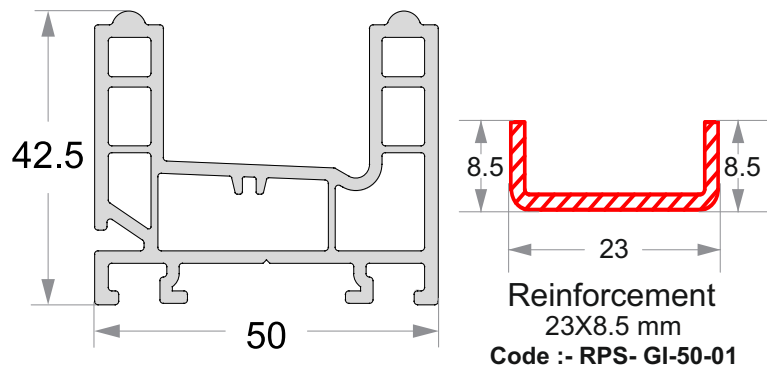
These doors are the best for big apertures. With multipoint locking system, these doors are very safe and convenient to use. 2 Track 2 Panel Doors and 3 Track 3 Panel Doors are commonly used sliding doors.



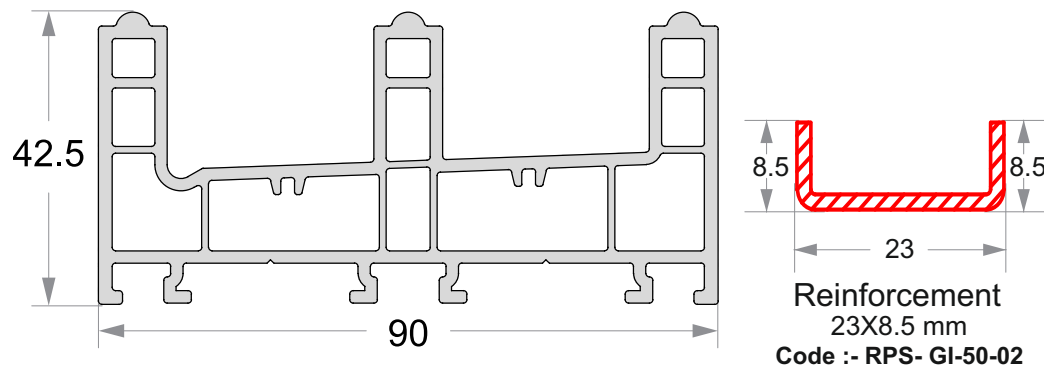
SLIDING DOORS

SLIDING WINDOWS & DOORS PROFILES

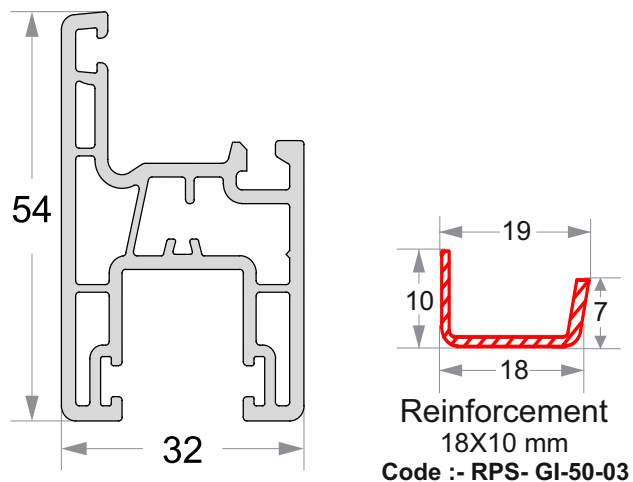
Thickness 1.9 ± 0.2 mm (50 Series)



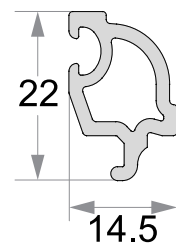
2 Track Sliding Frame
50X42.5 mm
Code :- RPS- 50-01



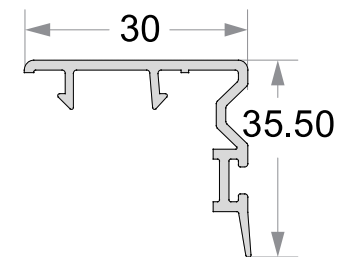
3 Track Sliding Frame
90X42.5 mm
Code :- RPS- 50-02



Sliding Window Sash
32X54 mm
Code :- RPS- 50-03



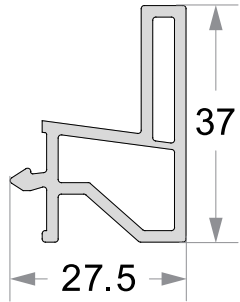
Single Glazing Bead
14.5X22 mm
Code :- RPS- 50-04



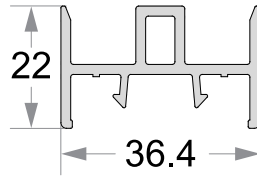
Window Interlock
30X35.50 mm
Code :- RPS- 50-05

SLIDING WINDOWS & DOORS PROFILES

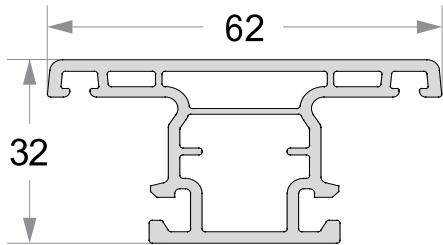
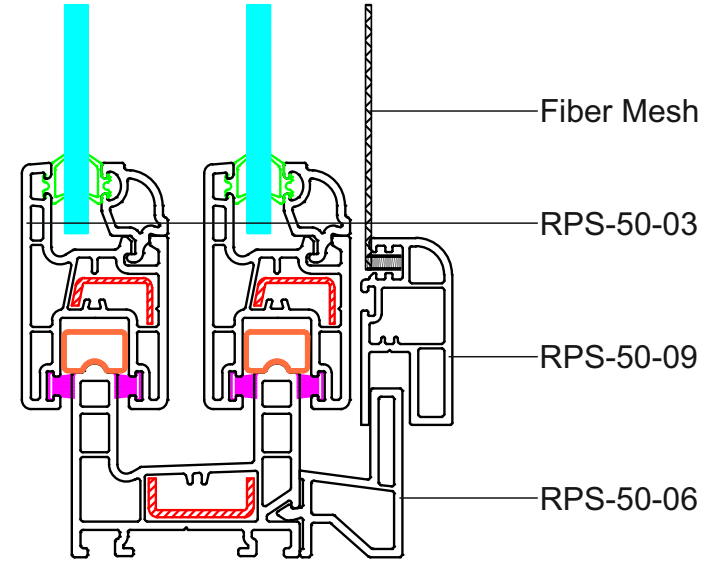
Thickness 1.9 ± 0.2 mm (50 Series)



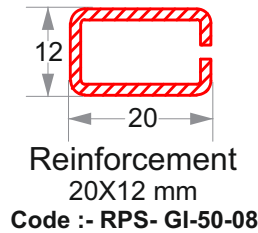
Mesh Track
27.5X37 mm
Code :- RPS- 50-06



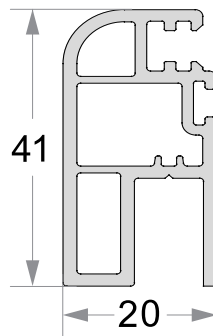
Sash Joint
36.4X22 mm
Code :- RPS- 50-07



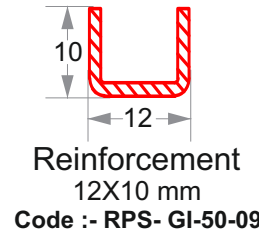
Sash Mullion
62X32 mm
Code :- RPS- 50-08



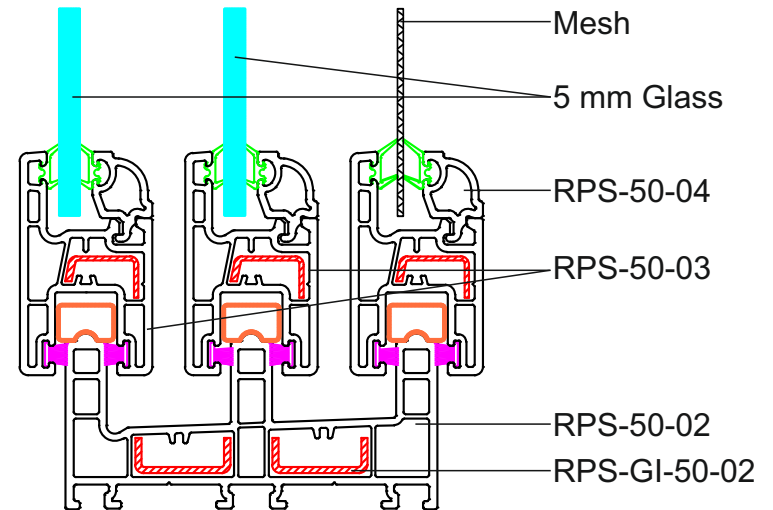
Reinforcement
20X12 mm
Code :- RPS- GI-50-08



Mosquito Sash
20X41 mm
Code :- RPS- 50-09

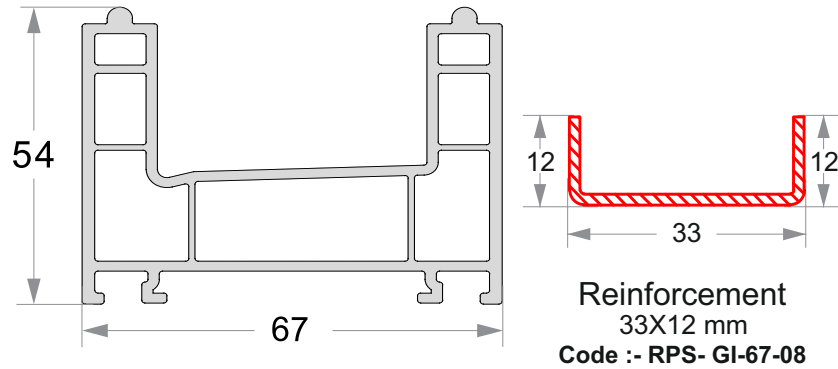


Reinforcement
12X10 mm
Code :- RPS- GI-50-09

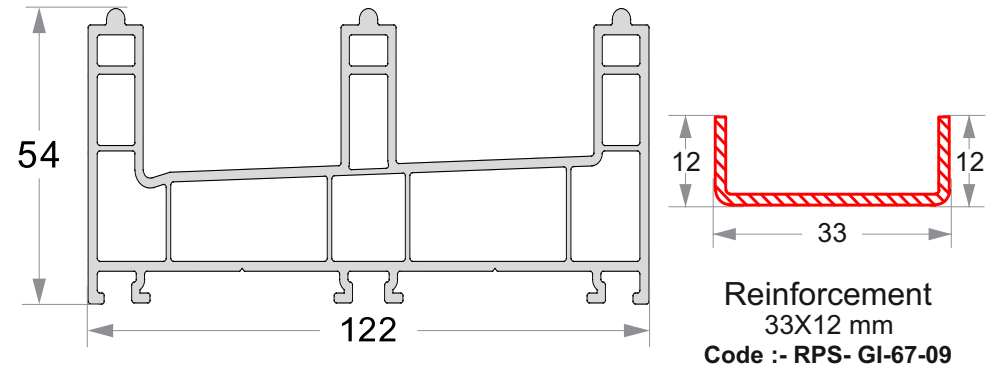


SLIDING WINDOWS & DOORS PROFILES

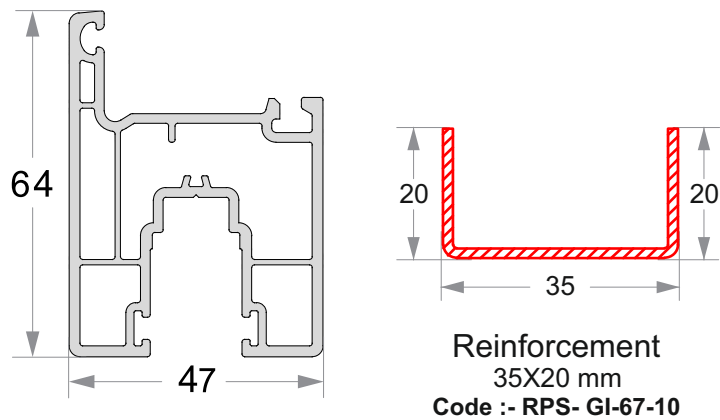
Thickness 2.3 ± 0.2 mm (67 Series)



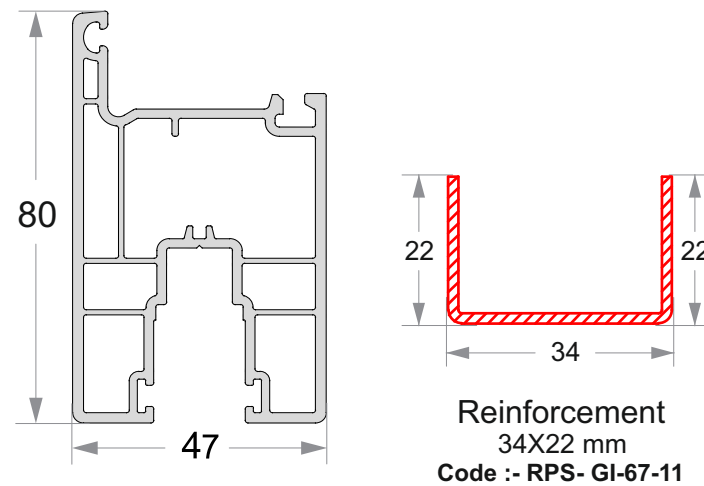
2 Track Sliding Frame
67X54 mm
Code :- RPS- 67-08



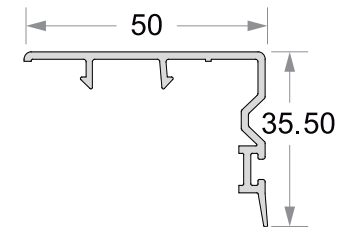
3 Track Sliding Frame
122X54 mm
Code :- RPS- 67-09



Sliding Window Sash
47X64 mm
Code :- RPS- 67-10



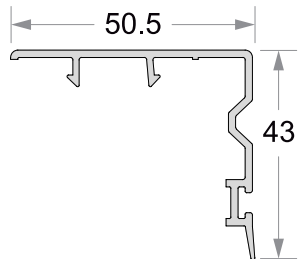
Sliding Door Sash
47X80 mm
Code :- RPS- 67-11



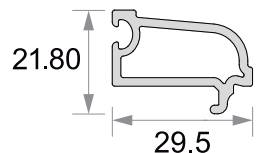
Window Interlock
50X35.50 mm
Code :- RPS- 67-12

SLIDING WINDOWS & DOORS PROFILES

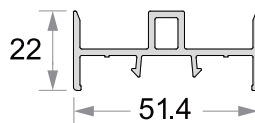
Thickness 2.3 ± 0.2 mm (67 Series)



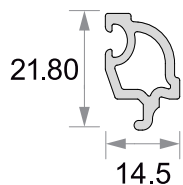
Door Interlock
50.5X43 mm
Code :- RPS- 67-13



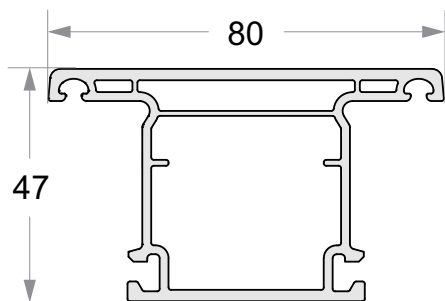
Single Glazing Bead
29.5X21.80 mm
Code :- RPS- 67-14



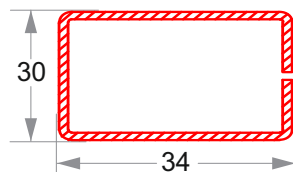
Sash Joint
51.4X22 mm
Code :- RPS- 67-15



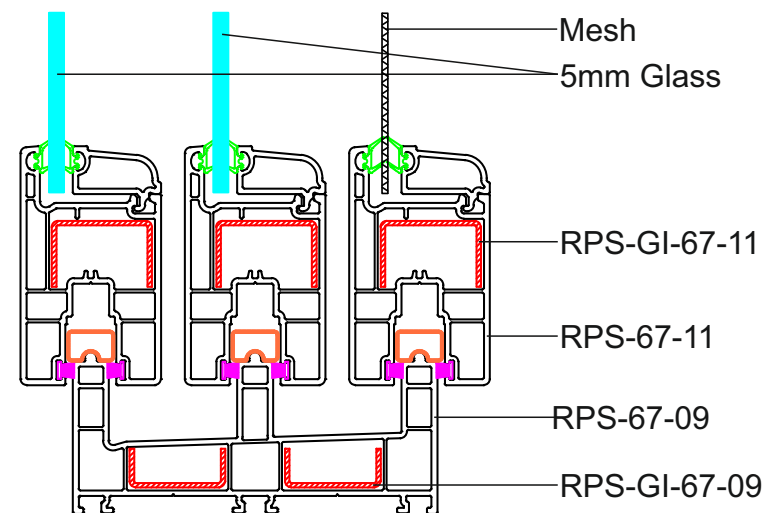
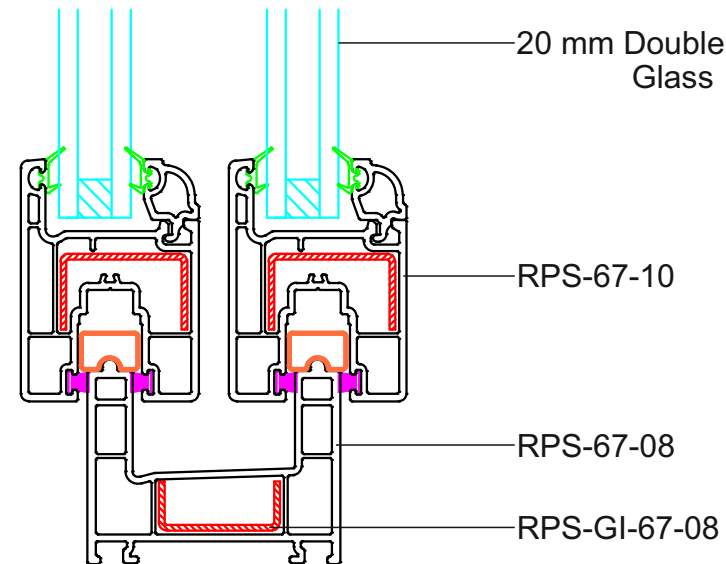
Double Glazing Bead
14.5X21.80 mm
Code :- RPS- 67-16



Sash Mullion
80X47 mm
Code :- RPS- 67-17

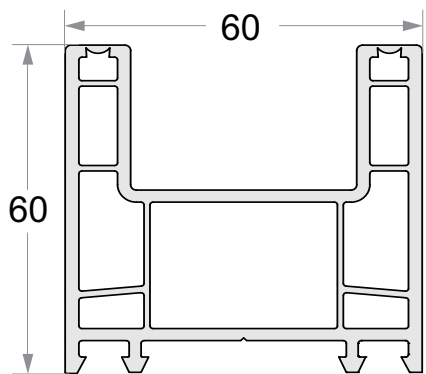


Reinforcement
34X30 mm
Code :- RPS- GI-67-17



SLIDING WINDOWS & DOORS PROFILES

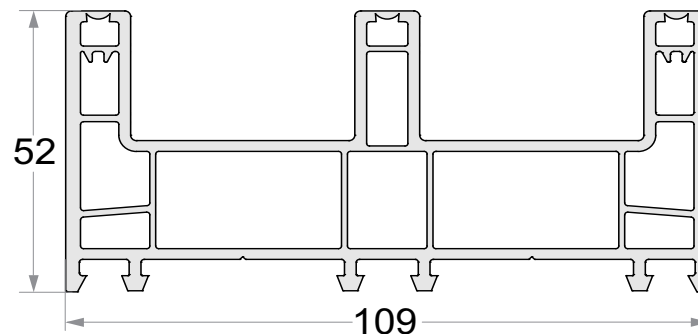
Thickness 2.5 ± 0.2 mm (60 Series)



2-TRACK SLIDING FRAME
60X60 mm
Code :- RPS- 60-01



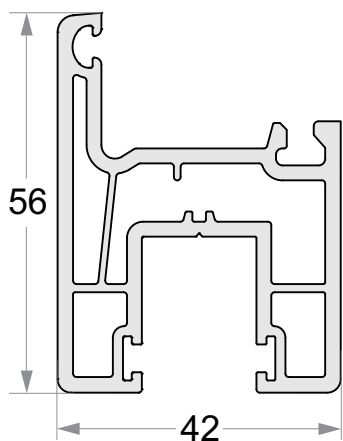
Reinforcement
32X21 mm
Code :- RPS- GI-60-01



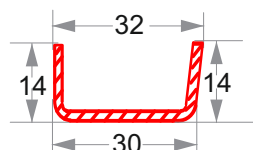
3-TRACK SLIDING FRAME
109X52 mm
Code :- RPS- 60-02



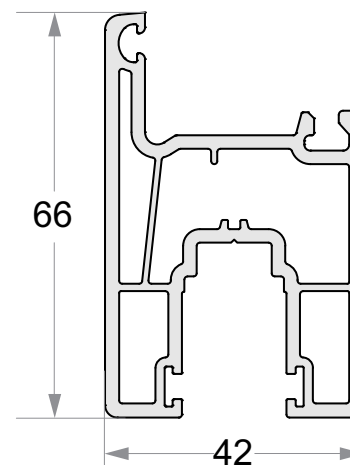
Reinforcement
31X16 mm
Code :- RPS- GI-60-02



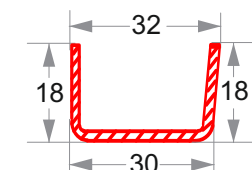
SLIDING SASH
42X56 mm
Code :- RPS- 60-03



Reinforcement
30X14 mm
Code :- RPS- GI-60-03



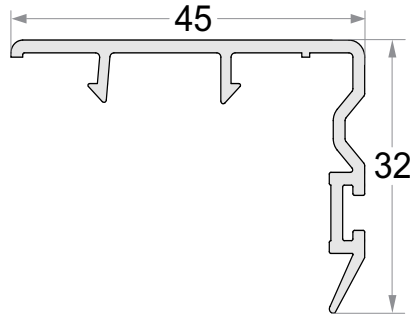
SLIDING SASH
42X66 mm
Code :- RPS- 60-04



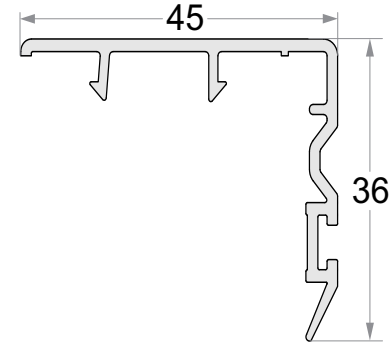
Reinforcement
30X18 mm
Code :- RPS- GI-60-04

SLIDING WINDOWS & DOORS PROFILES

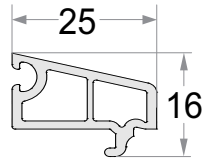
Thickness 2.5 ± 0.2 mm (60 Series)



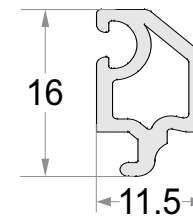
INTERLOCK
45X32 mm
Code :- RPS- 60-05



INTERLOCK
45X36 mm
Code :- RPS- 60-06



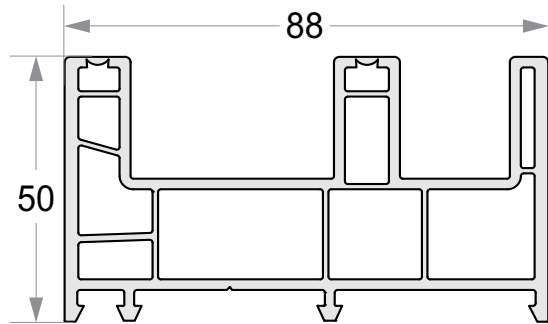
SINGLE GLAZING BEAD
25X16 mm
Code :- RPS- 60-07



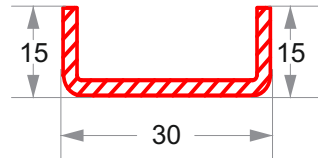
DOUBLE GLAZING BEAD
11.5X16 mm
Code :- RPS- 60-08

SLIDING WINDOWS & DOORS PROFILES

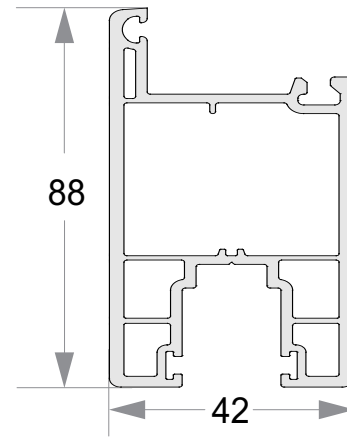
Thickness 2.5 ± 0.2 mm (88 Series)



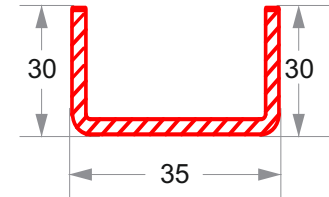
2.5-TRACK SLIDING FRAME
88X50 mm
Code :- RPS- 88-01



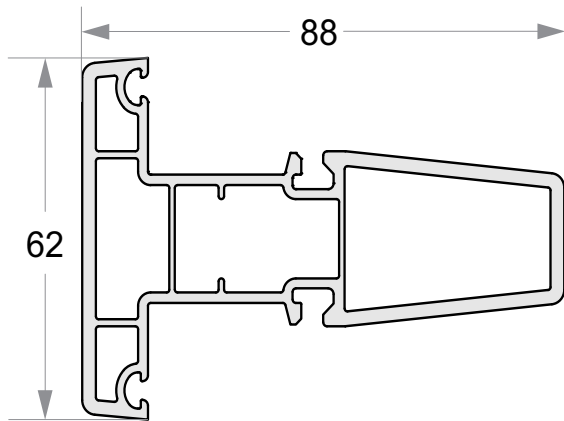
Reinforcement
30X15 mm
Code :- RPS- GI-88-01



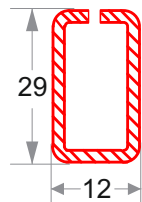
SASH
42X88 mm
Code :- RPS- 88-02



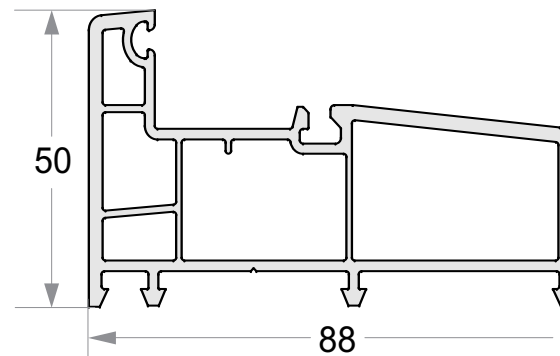
Reinforcement
35X30 mm
Code :- RPS- GI-88-02



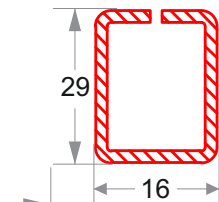
FIXED MULLION
88X62 mm
Code :- RPS- 88-03



Reinforcement
12X29 mm
Code :- RPC- GI-88-03



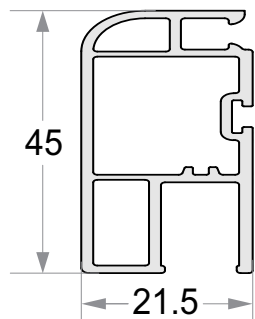
FIXED MULLION
88X50 mm
Code :- RPS- 88-04



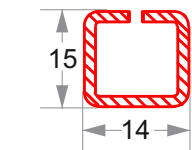
Reinforcement
16X29 mm
Code :- RPC- GI-88-04

SLIDING WINDOWS & DOORS PROFILES

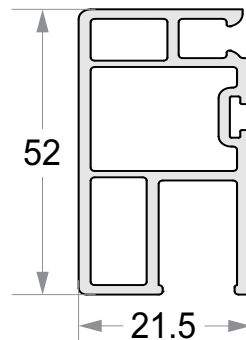
Thickness 2.5 ± 0.2 mm (88 Series)



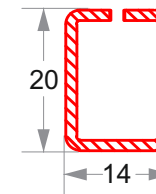
SCREEN SASH
21.5X45 mm
Code :- RPC- 88-05



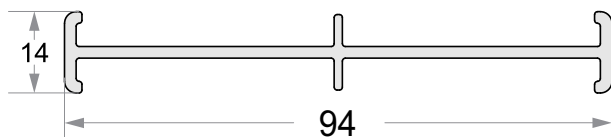
Reinforcement
14X15 mm
Code :- RPS- GI-88-05



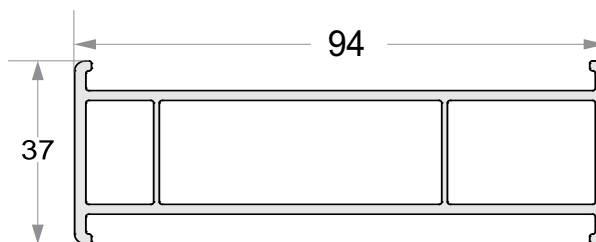
SCREEN SASH
21.5X52 mm
Code :- RPC- 88-06



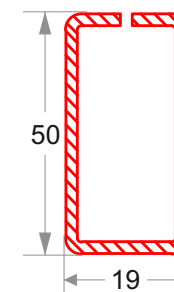
Reinforcement
14X20 mm
Code :- RPS- GI-88-06



COUPLER
94X14 mm
Code :- RPC- 88-07

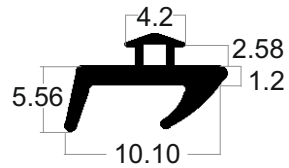


COUPLER
94X37 mm
Code :- RPC- 88-08



Reinforcement
19X50 mm
Code :- RPC- GI-88-08

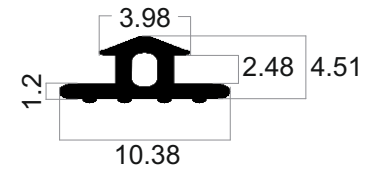
CASEMENT & SLIDING WINDOWS & DOORS RUBBER GASKET



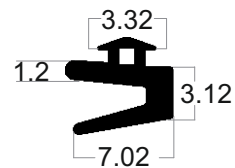
Rubber Gasket
Code :- M27



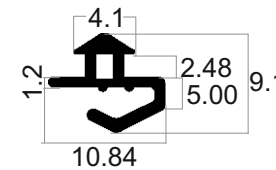
Rubber Gasket
Code :- M124



Rubber Gasket
Code :- M183



Rubber Gasket
Code :- M238



Rubber Gasket
Code :- M505

“Rajshri” Quality Assurance

adheres to strict international guidelines of profile manufacturing.

POINTS TO REMEMBER FOR SELECTING A QUALITY WINDOW

Profile Quality

The chemical composition is important for the discoloration and degradation of plastic surface.

GI Reinforcement

The GI used is the nervous systems of the window or door. Bigger the steel chamber, stability of the system increases. properly galvanized steel is to be used for longer run.

Hardware's

Suitable and tested hardware makes the window a complete working system. Any substandard quality of hardware results in failure of the window or door.

Glass

A very important component of a window or door because, glass takes the major responsibility in most of the factors like Safety, visibility and energy efficiency. Choosing the right glass according to your requirement is mandatory.

Reliable Supply

A reliable supplier to cater needs following profession ethics and quality as policy is the one you can ever trust. Any craft work is based on workmanship. A double check on the supplier relating to product and payments will always make the move smoother.

Installation

A professional installation of a door or window is always necessary to complete the product. Bad installation may lead to warpage, water leak, loss in energy and various other malfunctions.



Features of UPVC Window

Material

UPVC is a type of rigid plastic that is known for its durability and resistance to various environmental factors. UPVC casement windows are made from this material, and they are designed to withstand the elements and last for many years without deteriorating.

Energy Efficiency

UPVC windows provide excellent thermal insulation, helping to keep your home comfortable year-round. They can help reduce heat loss during the winter and keep your home cooler in the summer, leading to potential energy savings.

Low Maintenance

UPVC windows are virtually maintenance-free. They don't require painting or staining, and they are resistant to rot, corrosion, and pests. Regular cleaning is usually all that's needed to keep them looking good.

Security

UPVC windows come with multi-point locking systems, providing enhanced security. The material itself is also difficult to break or tamper with, making it a secure choice.

Sound Insulation

UPVC windows offer good sound insulation properties, which can help reduce outside noise and create a quieter indoor environment.

Aesthetic Options

UPVC windows come in a variety of styles, colors, and finishes, allowing you to choose options that match your home's architectural style and your personal preferences.

Customization

They can be customized in terms of size and configuration to suit your specific needs and design requirements.

Environmental Responsibility

UPVC is a recyclable material, making it a sustainable choice for eco-conscious homeowners.

Weather Resistance

UPVC windows are designed to resist weathering and are suitable for various climates. They are particularly resistant to moisture and UV exposure.

Easy Operation

UPVC windows are known for their ease of operation. They open and close smoothly using a crank or lever mechanism.



Termite Proof & Borer Proof



Water & Moisture Proof



Flame Retardant



Easy To Install



High Screw & Nail Holding Capacity



Maintenance Free



Eco-Friendly



Rajshri Plastiwood[®]

(Division of Rajshri Productions (P) Ltd.)



An ISO 9001-2015 Certified Company

Works & Office : Plot No. 100, Sector 2, Industrial Area, Pithampur, Dist. Dhar (M.P.)

Mo. No. - 9981641780, (Marketing) 9977110140, 9109990300

Email : info@rajshriplastiwood.com, rajshriplastiwood@gmail.com, rajplastmarketing@gmail.com

Web.: www.rajshriplastiwood.com